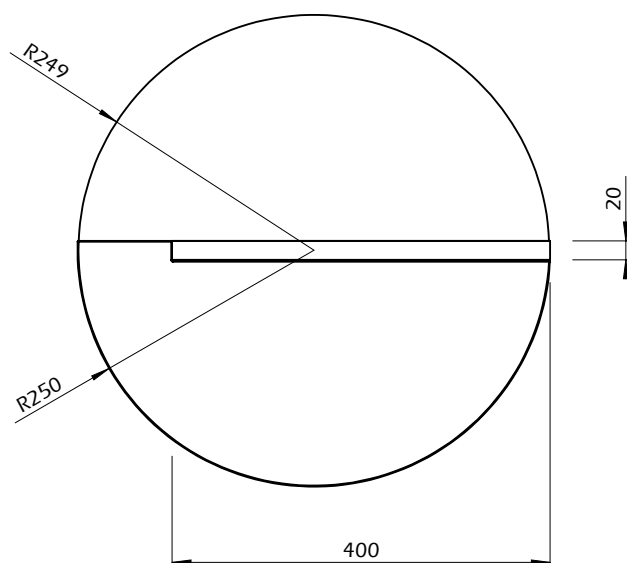
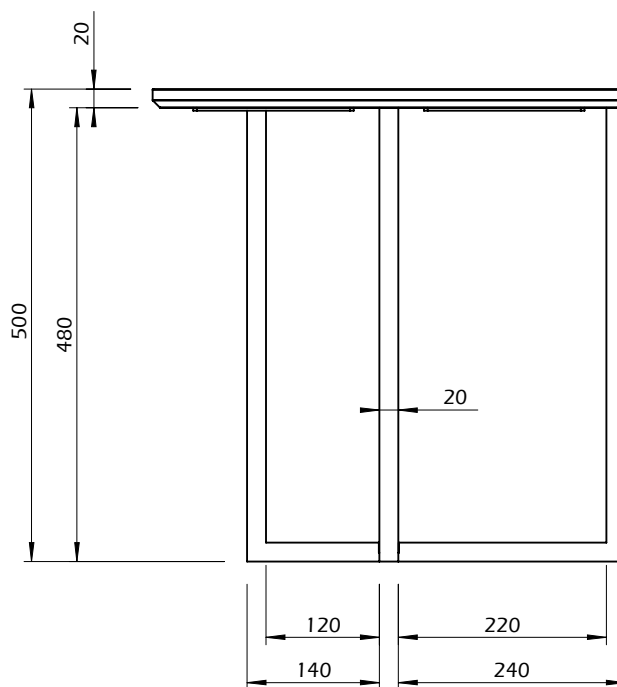
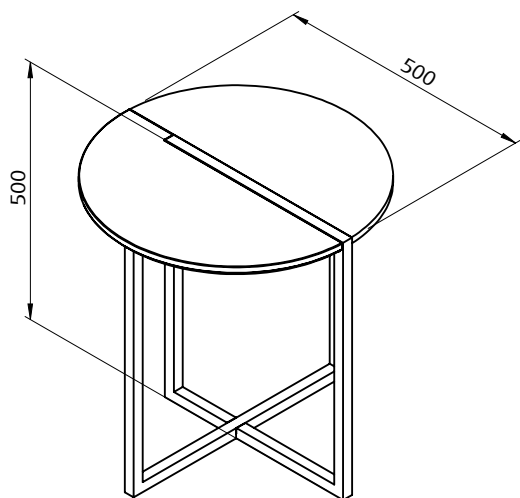


# Technical Information

SONATA 50x50x50



25min



8kg